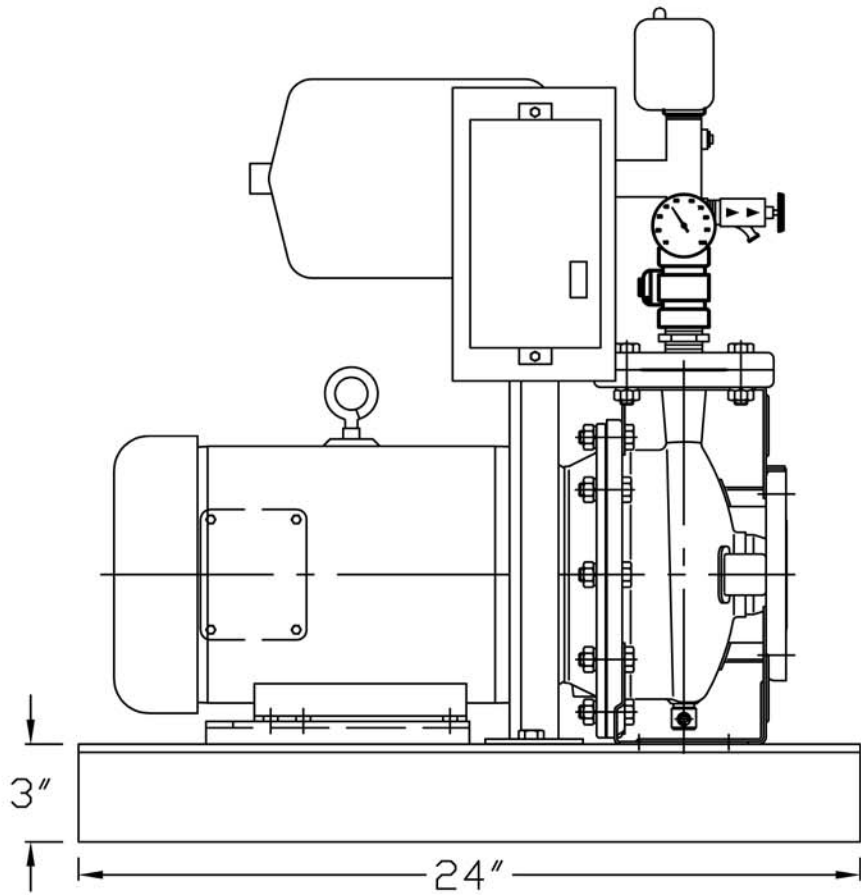
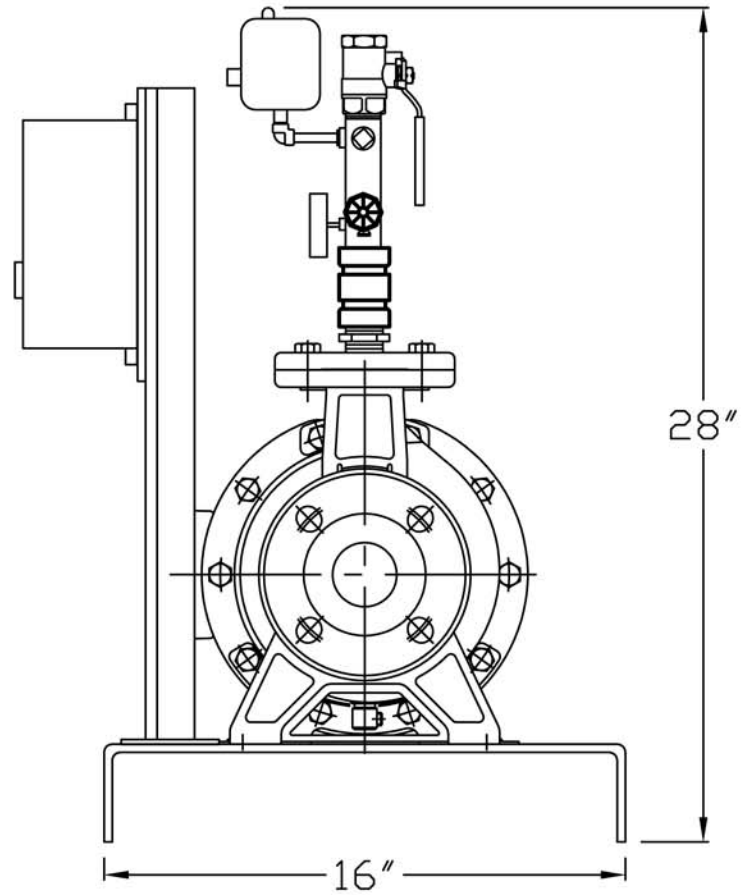


Service Factor Amps
Required at 230v

hp	SFA
5	27.6
7.5	42.6



SIDE VIEW



FRONT VIEW

