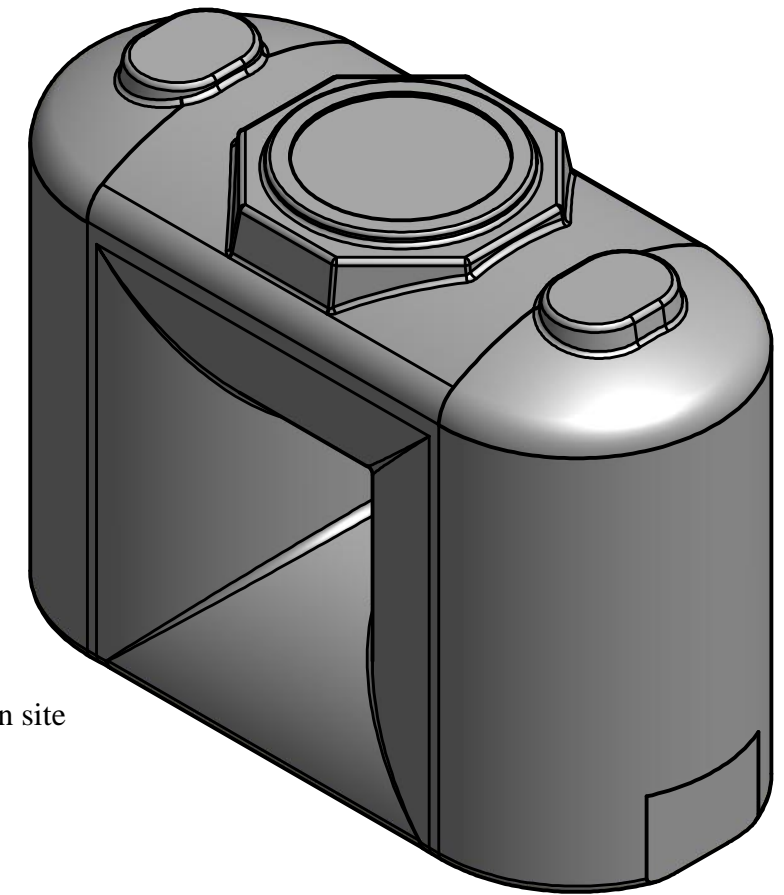
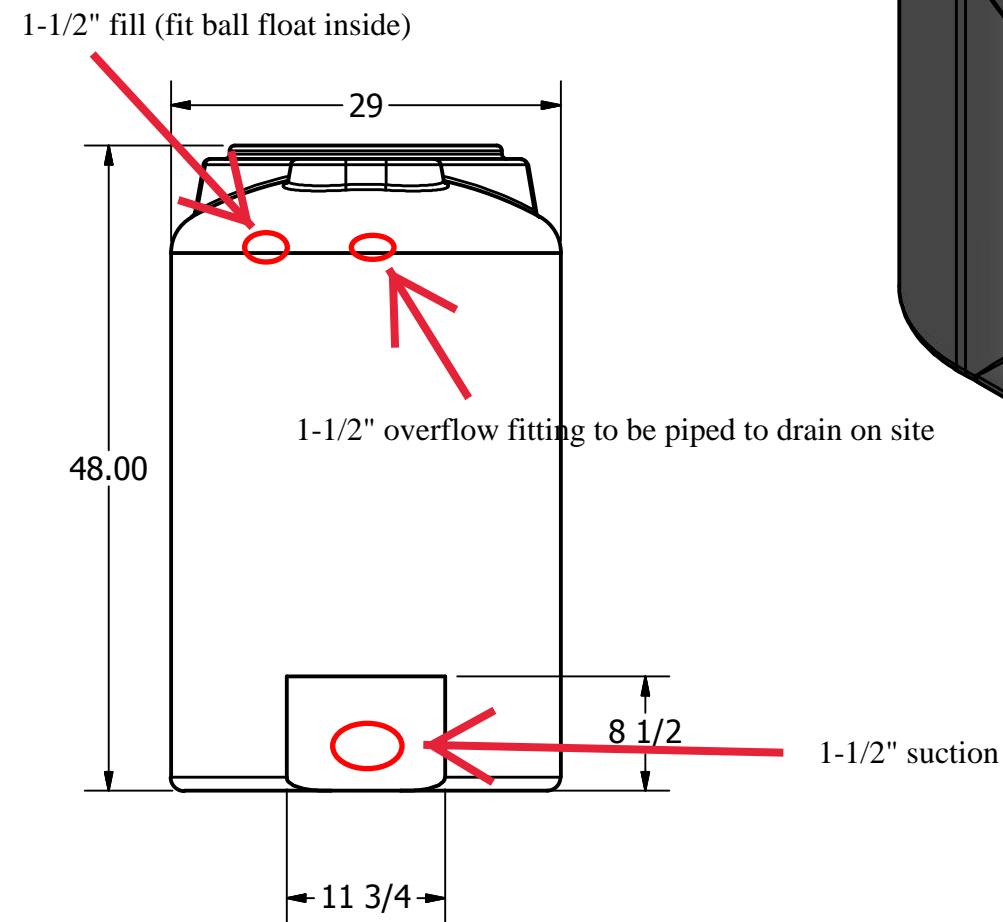


SECTION A-A
SCALE 0.07 : 1



DRAWN	
CHECKED	
QA	
MFG	
APPROVED	



TITLE
300 GALLON FREE STANDING TANK

SIZE	DWG NO	REV
SCALE: 1/16	SHEET 1 OF 1	